

CDS200 II

Microphone Control Panel BC202/50



Operating instructions

Version 1.01

Printed in Germany

Should you have some questions regarding this manual please contact:

Brähler ICS Konferenztechnik
International Congress Service AG
Auf der Alten Burg 6
D-53639 Königswinter, Germany
Tel.: +49 2244 930-100
E-Mail: sales@braehler.com

You will find further information about our products on the Internet at:

www.braehler.com

© 2007

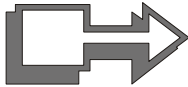
BRÄHLER ICS AG, Königswinter

All rights reserved, especially (also partly) the translation, reprint, reproduction through copying or other similar methods.

BRÄHLER ICS reserves the right to make changes without notice.

Operating instructions CDS200 II, BGE-BC202-50.doc

Mar-08

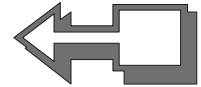


CAUTION

**DANGER OF ELECTRIC SHOCK
DO NOT OPEN DEVICES!**

Do not open housing with mains cable connected.

Maintenance operations may only be done by
qualified personnel.



Our equipment and installations have been built and tested according to the latest state of the art. In general conditions they do not require any special maintenance.

However, please be aware of the following:

- Positioning** - secure and stable position of the equipment
- Ventilation** - operate equipment with proper ventilation. Avoid heat sources such as heating radiators etc.
- Mains connection** – pass all power cables so that they will not be damaged
- Cable connections** - avoid trip-traps
- Liquids** - avoid penetration of liquids into the housing
- Power sockets** - operate equipment only with power sockets that are connected to ground according to the relevant specifications and regulations

Warning: Never expose equipment to rain or humidity

Rough handling of the equipment, such as strong shocks or vibrations, may result in damages. Inappropriate handling and storage, which does not conform to the operating instructions, may also lead to equipment damages.

Content

1. about this manual	6
Symbols	6
2. Important remarks	7
For customers in the EU and in the USA	7
Safety	7
Installation.....	7
Cleaning.....	7
Repacking.....	7
General	8
3. System description	9
3.1 System functions.....	9
3.2 Operation	10
3.2.1 Operating Control Panel.....	10
3.2.2 Rear side and DIP Switch-Setting	12
4. Trouble shooting	13
5. Warranty	14
6. Contact addresses	17

1. about this manual

Symbols

The meaning of the symbols and fonts used in this manual:



Indicates an important note, if not minded, the functionality of the unit, the security of your data, or your health are put at risk.



Supplementary information, remarks, and tips follow this symbol.



Text which follows this symbol describes activities that must be performed in the order shown.

Texts in **bolded** letters require your special attention.

2. Important remarks

For customers in the EU and in the USA

The equipment is complying with the standards of the CE regulations. These standards are specified to provide reasonable protection against harmful interference when the equipment is operated in a commercial environment. The equipment can radiate radio frequency energy and if not installed and used according to the user manual it may cause harmful interference to radio communications. Any changes or modifications which are not explicit approved in this manual could void your authority to operate this equipment.

The equipment must be connected to ground!

Safety

Check that the operating voltage of the unit is identical with the voltage of your local power supply. If a voltage conversion is required, consult your BRÄHLER ICS dealer or qualified staff.

Should any liquid or solid object fall into the housing, unplug the unit and let it check by qualified staff before further operations. Unplug the unit from the power outlet or set the mains power switch to OFF if it's not used for several days. To disconnect the cord, pull it out holding the plug. Never pull the cord itself.

Installation

Allow proper air circulation to prevent internal heat accumulation. Do not place the unit on a surface that may block the ventilation holes.

Do not install the unit in a location near heat sources or in a place exposed to direct sunlight, excessive dust, humidity, mechanical vibration or shock.

Do not install the unit when it is changed from cold outside to warm inside. In this case wait approx. 1 hour until temperature is even-tempered.

Cleaning

To keep the housing in its original condition, periodically clean it with a soft cloth. Stubborn stains may be removed with a cloth lightly dampened with a mild detergent solution. Never use organic solvents such as thinners or abrasive cleaners as these will damage the cabinet.

Repacking

If possible save the original shipping carton and packing material; they will become useful if you ever have to ship the unit. In this case please keep the manual and the unit together. For maximum protection, re-pack the unit as originally packed by the factory.

If not supplied with the equipment, a complete transport and storage box system is available from BRÄHLER ICS. We recommend using this system for long-term protection and care.

General

Please keep this manual together with the CDS200 II equipment. If you pass on the unit to other parties, please include this manual.



Please read the manual carefully, taking special care when you see this symbol as it indicates important information!



The warranty will expire, if you cause defectives by inappropriate use or handling of the unit.

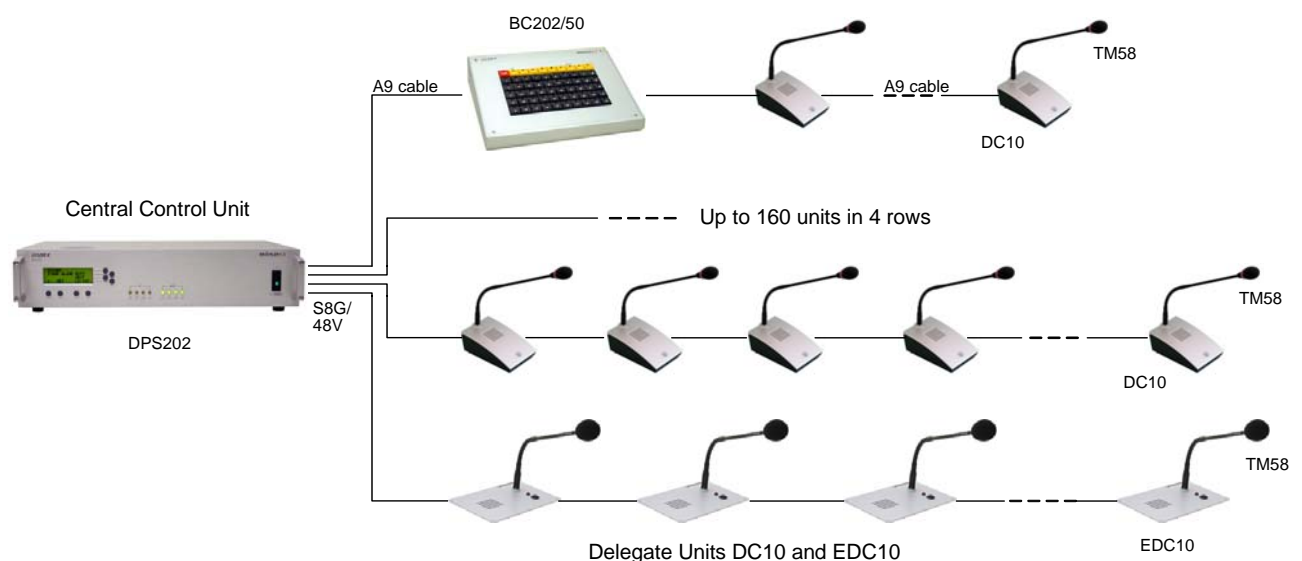


Although CDS200 II is a simple and reliable system, it is recommended, that the BRÄHLER ICS® advisory service is consulted for planning, installation and commissioning.

3. System description

CDS200 II controls up to 800 microphones centralized (switched by technician) or decentralized (switched by delegates)

All network components are connected in single-cable technology. Length of cabling is not critical - though it is limited by the power demanded by increasing numbers of microphones. As many microphones as desired can be connected simultaneously using pairs of cables without loss of performance.



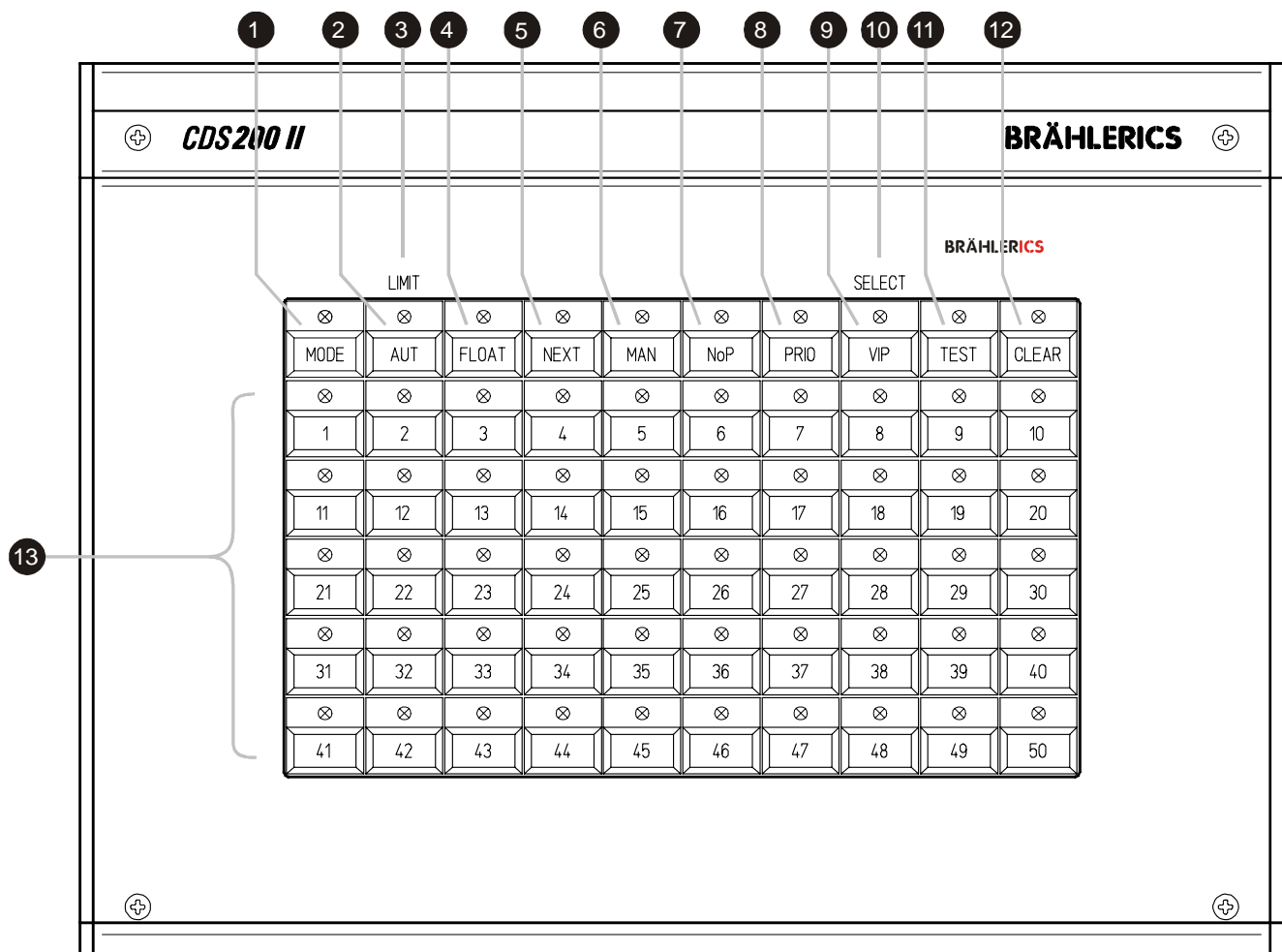
3.1 System functions

The BC202/50 is a microphone control panel for the CDS200 II system to control up to 50 microphone units. Operation is possible both with and without additional PC control. The BC202/50 can be connected anywhere in any of the microphone lines. This means that control can take place at the technician or chairman/secretary positions. Different microphone operating modes (AUT3...6, MAN, PRIO, VIP) can be selected for different conference situations.

- AUT(omatic) mode (in connection with FLOAT and NEXT): Number of simultaneous active microphones is adjustable from 1 to 6.
- MAN(ual) mode: All microphones are switched on and off by corresponding keys. Requests are displayed by a blinking LED (in the keys with the first request blinking faster).
- PRIO: Priority operating from the chairman's desk. The chairman can switch all microphones off (continuously or occasional) excluding VIP assigned microphones.
- VIP: Priority functions for special microphones, which can be switched on at any time even in MAN mode.

3.2 Operation

3.2.1 Operating Control Panel



- 1 **MODE:** Key for switching to another mode of operation. For this purpose press and hold this key as well as one of the following mode keys.
- 2 **AUT:** In connection with MODE (1) AUT mode is activated. LED (3) lights.
 AUT + number (13): the number of same time active microphones is adjustable from 1 to 6.
 AUT alone: the number of same time active microphones is indicated.
- 4 **FLOAT (only in AUT mode):** In connection with MODE (1) "FLOAT" mode is set (x = number of microphones 1 to 6)
 If x slots are occupied, then the next delegate pressing its microphone key switches off the first microphone of the active group (AUT 1 ..., 6).
- 5 **NEXT: (only in AUT mode):** In connection with MODE (1) activating the "NEXT" mode (number of microphones 1 to 6)
 If a speaker switches off his microphone, then the next microphone of the request list is switched on automatically.
 Pressing NEXT alone: the next microphone of the request list is switched on.

- 6** MAN (Manual): In connection with key MODE (1) the “MAN” mode is set. The microphones are switched by means of the keys (13). Speaker requests are indicated by flashing of the appropriate key LED.

Note: The delegate is not able to switch on the microphone by himself.
- 7** NoP: Activating the allocation of the chairman. All other microphones are switched off.

Pressing NoP and a number key (13) will determine the chairman.
- 8** PRIO: If a chair of the meeting is determined before, in connection with MODE (1) the chair of the meeting has a priority treatment. I.e. by pressing this key all other microphones are switched off continuously or occasionally. The VIP microphones are excluded.
- 9** VIP: Changing to the VIP operation mode; the LED of key 9 is on.

Pressing VIP and a number (13) will allocate this microphone as VIP.

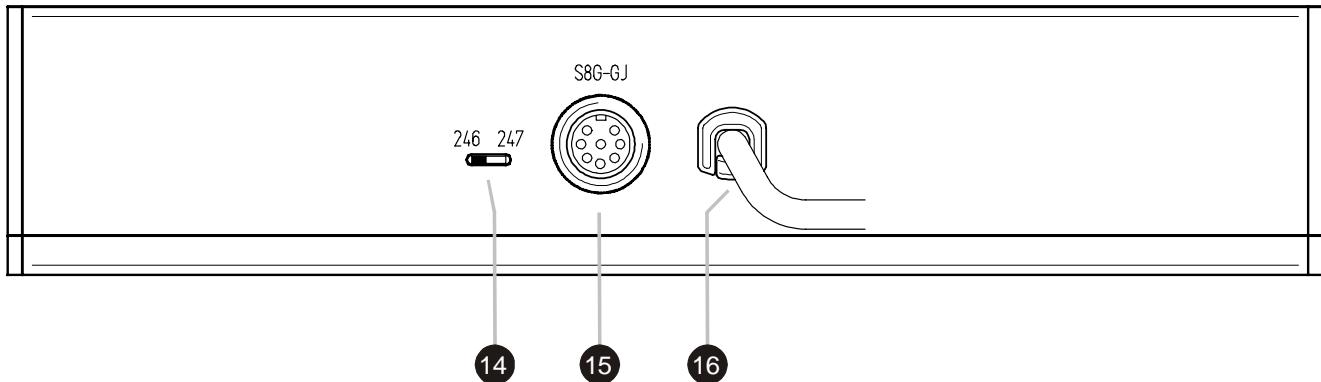
Pressing and holding VIP alone: All assigned VIP microphones are indicated.

Note: VIPs can switch on themselves independently in both AUTx and in MAN mode, if one of the 2 VIP slot is free, i.e. 2 VIP of microphones can be active at the same time.
- 11** TEST: In connection with MODE (1) changing to the test mode. Pressing TEST + the first microphone to be tested is determined; the next pressed number key determines the last microphone to be tested and starts automatically the test. Within the selected range the microphones are switched off and on.

Note: Pressing again MODE (1) in connection with TEST will stop the test procedure.
- 12** CLEAR: In connection with MODE (1) all microphone requests are cancelled, all flashing LEDs change to off.

CLEAR + number deletes the request of the selected microphone.
- 13** Microphone keys with associated LEDs (on status is shows by LED)

3.2.2 Rear side and DIP Switch-Setting



14 DIP switch for the definition of the unit ID (246 or 247) of the control console BC202/50.



Please notice: Especially in shared operation of BC202/50 and BC202/100

Unit ID 246: The range of microphone number is 1 to 50 (1 to 100 with BC202/100)

Unit ID 247: The range of microphone number is 101 to 150 (101 to 200 with BC202/100)

15 Socket S8G-GJ: Connection to further microphones in the chain

16 Connection cable to previous microphone

4. Trouble shooting

Error description	Error cause	Error solution
After system start there is no response of the panel BC202/50.	The connecting cable to the panel is not connected.	Connecting the cable to the prior microphone or to the Central Control Unit DPS202
After system start there is no response of the panel BC202/50.	Short circuit in the connection cable	Check the cable to correct function
After system start there is no response of the panel BC202/50.	The corresponding out of the DPS202 unit is defective	The corresponding LED will light at the DPS202. The line is to check properly.
After the system start microphone numbers appear twice.	The ID of the control panels are not unique	Make a correction on DIP switches

5. Warranty

BRÄHLER ICS allows for the CDS200 II products a warranty period of 24 months, from date of delivery, for faulty materials and/or manufacturing faults. The warranty does not include rechargeable or disposable batteries, misuse, negligence, breakage, wrong installation, use outside the existing rules and any unauthorised modifications.

BRÄHLER ICS rejects any guarantee, if the safety label with the serial number is removed.

BRÄHLER ICS declares itself to agree to exchange or repair defective components due to faulty materials or manufacturing, dependent on following procedure:

1) The client declares that the fault is not due to empty, discharged, wrongly inserted, or faulty batteries.

2) Before sending the faulty product back to the company, please obtain an RMA (Return Material Authorisation) number. An RMA can be obtained by contacting us at the details below

Phone +49 (0) 2244 930-100
or email: sales@braehler.com

3) You may send the defective product free of charge to (refer to the service form):

BRÄHLER ICS Konferenztechnik
International Congress Service AG
Auf der Alten Burg 6
D-53639 Königswinter
Germany

4) Should it turn out that the fault was caused through inattentiveness or inappropriate use, the service and shipping charges will be added to the clients account.

Service form

Material return shipments for repair-, service-, or guaranty purposes please send to:
BRÄHLER ICS Konferenztechnik AG, Auf der Alten Burg 6, D-53639 Königswinter, Germany
Phone +49 (0)2244 930-100, Fax +49 (0)2244 930-450

Dear customer,

Please ask our sales staff for the **RMA number** (*Return of Material Authorization*).

Without RMA number a treatment is not possible!

Please always include this service form, fully completed, with any complaint or repair wish you may have. Please note that only returns with the proper and complete paperwork can be dealt within time.

A detailed fault description will reduce costs and period of repair.

Please contact us before you return equipment in order to find the most efficient way of sending.

RMA number: _____

Article description: _____ Serial no.: _____ Code: _____

Delivery note no.: _____ Invoice no.: _____

Reason for return/Fault description:

Company: _____

Contact person: _____

Phone: _____ Fax: _____

Notes/Comments:

Transport damages have to be reported immediately to the responsible forwarding agent.

Remarks for Non-EU customers:

Please add to each return a delivery note or a proforma invoice, addressed to Brähler ICS AG, Königswinter, with following statements:

- Reason for return (repair or credit note)
- Exact declaration of the goods, exact no. of pieces, article no. / model, serial no.
- Price which was invoiced by us, better our invoice no. with date

Return shipments from Non-EU countries have to be sent **either by air freight** to Cologne airport, to the attention of:

Calenberg Oversea Logistics, Mrs. Taxacher, Welser Str. 8, 51449 Köln, Tel: +49 2203 3592-838

or by the following courier services:

DHL Express, Federal Express, TNT Worldwide Express, UPS Express

Please do not use any other courier service, because only the four companies mentioned above perform return shipments.

To enable quick and cost efficient customs clearance, kindly take care that the airway bill mentions

a) 'return for repair' as well as

b) the customs tariff code number of the goods (which will be advised by us together with the return of material authorization number)

Any expenses (duties and taxes) incurred by deviant handling will be charged to the sender.

6. Contact addresses

Head office

Germany

Brähler ICS Konferenztechnik
International Congress Service AG
Wahlfelder Mühle 3
D-53639 Königswinter

P.O. Box 3264
D-53627 Königswinter
Tel.: +49 (0) 2244 930-0
Fax: +49 (0) 2244 930-450
http:// www.braehler.com

Rental service

Wahlfelder Mühle 3
D-53639 Königswinter
Tel.: +49 (0) 2244 930-200
Fax: +49 (0) 2244 930-430
E-Mail: rental@braehler.com

Sales

Auf der Alten Burg 6
D-53639 Königswinter
Tel.: +49 (0) 2244 930-100
Fax: +49 (0) 2244 930-450
E-Mail: sales@braehler.com

For your nearest representative in 85 countries, please contact our sales department:

Tel.: +49 (0) 2244 930-100
Fax: +49 (0) 2244 930-450
E-Mail: sales@braehler.com

BRÄHLERICS

Phone: 02244 930-0

www.braehler.com